

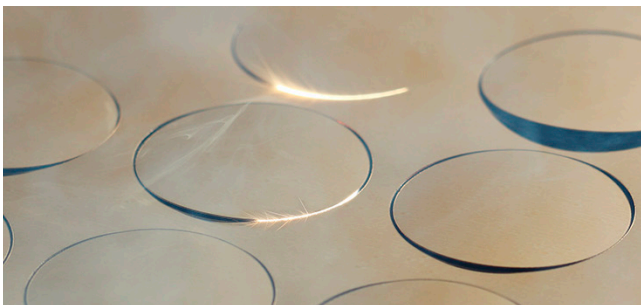
p SERIES 100 - 400 WATT AVERAGE OUTPUT POWER PULSED CO₂ LASERS

INDUSTRIAL PULSED LASERS FOR PRECISION MARKING, DRILLING, AND CUTTING APPLICATIONS

High performance pulsed CO₂ laser engineered for optimal power stability, excellent beam quality, and fastest pulse rise time delivers exceptional quality on the most challenging materials

CUT AND DRILL FASTER WITH CLEAN, CRISP RESULTS EVEN ON SENSITIVE MATERIALS

The p Series pulse CO₂ lasers cut faster, drill flawlessly and micro-process with precision. Harnessing pulse technology to deliver peak pulse power levels many times greater than standard continuous-wave laser power levels, the p Series expands cutting, drilling and perforating applications to a wider range of materials, including films, high performance textiles, certain metals, and high-tech composites. Internal beam conditioning before the aperture, focuses the beam down to a narrow spot for increased laser processing detail with near-perfect beam quality. Built for industrial environments, all models feature built-in gas purge ports for convenient in-field servicing and protective optical windows.



Clean Cuts, Faster Throughput

- Excellent stability and high peak power limit the heat affected zone (HAZ), delivering cuts and perforations with minimal discoloration and melt
- Excellent solution for high-speed cutting, drilling and perforating applications on heat sensitive materials
- Zero contact to the target material eliminates surface deformation commonly associated with mechanical cutting systems



DESIGNED FOR OEMS AND SYSTEM ARCHITECTS

Faster throughput and better results

100 - 400 Watts of average power for fast processing speeds

Fast rise pulse time and excellent power and divergence stability delivers clean, crisp cuts and perforations

Integrated beam conditioning guarantees a high quality, circular output beam for precise cutting, drilling and intricate feature details

Adds flexibility to OEM machine design

Unmatched application flexibility with user controlled pulse/continuous wave operation modes

Real-time performance monitoring (p250 & p400) reduces unplanned downtime with onboard advanced diagnostics that are Industry 4.0 ready

Pulse Model For Heat-Sensitive Materials

400 Watts – 1kW of peak power delivers energy more efficiently, minimizing heat affected zone (HAZ) to better process sensitive materials such as thin films, glass, and ceramics

p SERIES CO2 LASER SPECIFICATIONS

Performance	Specification			
Model	p100	p150	p250	p400
Wavelength	10.2 μm , 10.6 μm	9.3 μm , 10.2 μm , 10.6 μm	10.2 μm , 10.6 μm	10.6 μm
Average Output Power ¹	> 90 W @ 10.2 μm > 100 W @ 10.6 μm	> 150 W	> 250 W	> 400 W
Peak Pulse Power ²	375 W @ 10.2 μm 400 W @ 10.6 μm	600 W @ 9.3 & 10.6 μm 550 W @ 10.2 μm	750 W @ 10.2 μm 800 W @ 10.6 μm	1 kW
Peak Pulse Energy (maximum) ³	180 mJ @ 10.2 μm 190 mJ @ 10.6 μm	335 mJ	600 mJ	1.0 J
Power Stability (cold start) ⁴	$\pm 7\%$	$\pm 5\%$ @ 9.3 μm $\pm 6\%$ @ 10.2 and 10.6 μm	$\pm 5\%$	$\pm 7\%$
Power Stability (typical, after 3 min.)	$\pm 5\%$	$\pm 3\%$	$\pm 3\%$	$\pm 5\%$
Beam Quality (M^2)	< 1.2			
Beam Diameter ⁵	7.5 mm \pm 1.1 mm @ 10.2 μm 8.0 mm \pm 1.0 mm @ 10.6 μm	8.5 mm \pm 1.0 mm	8.0 mm \pm 1.0 mm @ 10.2 μm 9.0 mm \pm 1.0 mm @ 10.6 μm	1 - 6.5 mm \pm 1.0 mm 2 - 9.0 mm \pm 1.0 mm
Divergence (full angle)	1.8 mrad \pm 0.4 mrad @ 10.2 μm 2.0 mrad \pm 0.4 mm @ 10.6 μm	1.9 mrad \pm 0.4 mrad		1 - 2.5 mrad \pm 0.6 mrad 2 - 1.8 mrad \pm 0.4 mrad
Ellipticity	< 1.2			
Polarization	Linear (Vertical)		Linear (Horizontal)	Linear (45°)
Rise/Fall Time ⁶	< 40 μs / < 40 μs @ 10.2 μm < 40 μs / < 100 μs @ 10.6 μm	< 50 μs / < 100 μs	< 60 μs / < 110 μs	< 50 μs / < 100 μs
Operating Frequency	0 - 100 kHz	0 - 130 kHz	0 - 100 kHz	
Duty Cycle Range	$\leq 37.5\%$		$\leq 45\%$	$\leq 50\%$
Maximum Pulse Length	100 μs	600 μs	1.0 μs	
Power Supply				
DC Input Voltage	48 VDC			
Maximum Current	40 A	65 A	90 A	175 A
Pulsed Current	75 A for < 700 μs	100 A for < 700 μs	250 A for < 1 μs	300 A for < 1 μs
Cooling				
Maximum Heat Load	2000 W	3500 W	4.3 kW	8.5 kW
Coolant Temperature	18 - 22° C (water)			
Minimum Flow Rate (water)	1.5 GPM, < 60 PSI	2.0 GPM, < 60 PSI	3.0 GPM, < 60 PSI	4.0 GPM, < 60 PSI
Environmental				
Operating Ambient Temperature	15 - 40° C			
Maximum Humidity	95%, non-condensing			
Physical				
Length x Width x Height mm (inches)	590x 132 x 155 (23.2 x 5.2 x 6.1)	798x 132 x 155 (31.4 x 5.2 x 6.1)	1252 x 315 x 198 (49.3 x 12.4 x 7.8)	1262 x 208 x 300 (49.7 x 8.2 x 11.8)
Weight kg (lbs.)	13.6 kg (30.0 lbs.)	18.1 kg (40.0 lbs.)	48.5 kg (107 lbs.)	59 kg (130 lbs.)

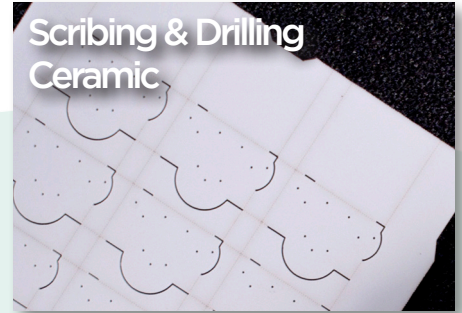
p SERIES RECOMMENDED APPLICATIONS



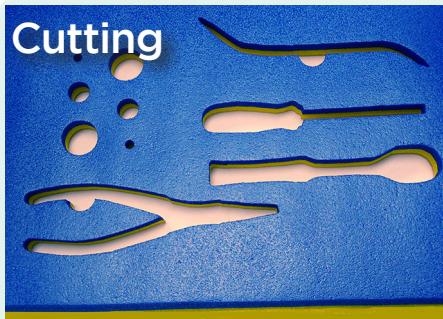
Cutting Textiles
When cutting many natural and synthetic textiles cut edge charring or melting is caused by excessive heat build-up in the material. High peak power and fast pulse rise time eliminates this issue, expanding the range of materials for laser processing.



Processing Packaging Materials
High-speed non-contact drilling and perforating of packaging films and pouches; perfect for easy-open or breathability of perishables.



Scribing & Drilling Ceramic
The high peak power is essential to minimizing heat build-up and avoid cracking when processing brittle materials such as alumina, ceramic and quartz glass. Excellent beam quality allows for very small features and clean symmetric holes.



Cutting
Continuous output power drives faster throughput for higher production yields. Excellent rise/fall time and divergence stability minimizes HAZ for clean cuts.



Perforating
Peak power delivers efficient energy, increasing perforating or drilling speeds and reducing HAZ; a solid solution for laser finishing processes on automated packaging lines.



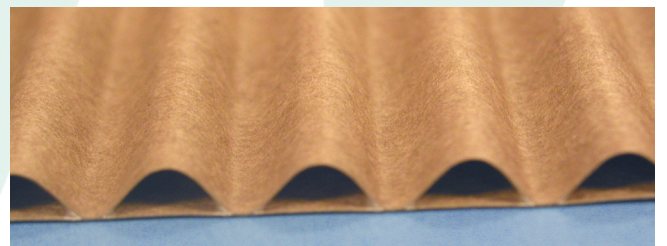
Thin Film Processing
High peak and average power deliver the perfect laser for high quality, precision drilling and cutting applications on a wide variety of thin, sensitive materials.

ti SERIES PERFORMANCE ADVANTAGES



Superior Edge Cut Quality on a Wide Variety of Materials

Higher average power and peak pulse power delivers high cut quality with faster processing speeds. The unique user switchable pulse/continuous wave modes makes the p Series the most versatile laser source available. Easier field serviceability with a modular electronics package make the p400 and p250 the first choice for high speed industrial processing systems.

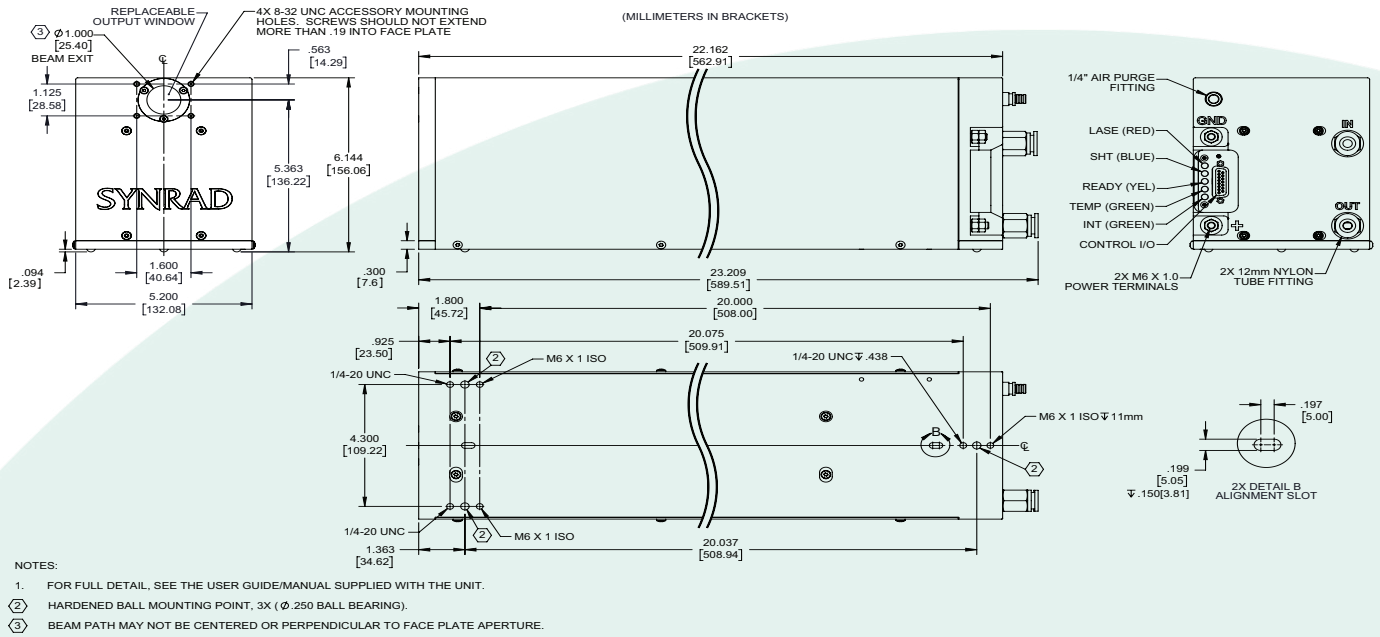


Clean Cuts, Faster Throughput

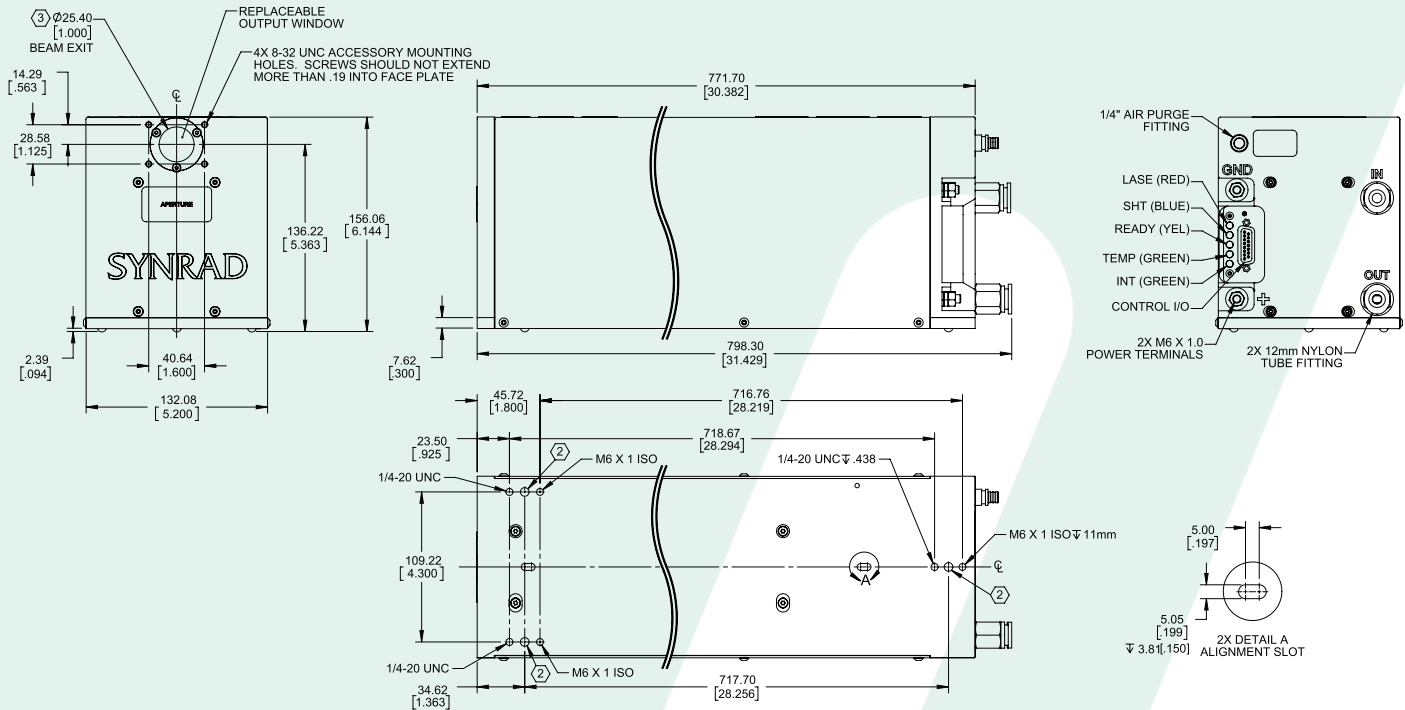
Excellent stability and high peak power limits the heat affected zone (HAZ), delivering cuts and perforations with minimal discoloration and melt. With zero contact to the target material, the p Series is an excellent CO2 laser source for sensitive high-speed cutting applications. Zero contact with the target material eliminates surface deformation commonly associated with mechanical cutting systems.

p SERIES TECHNICAL ILLUSTRATIONS

p100 - 100 Watts

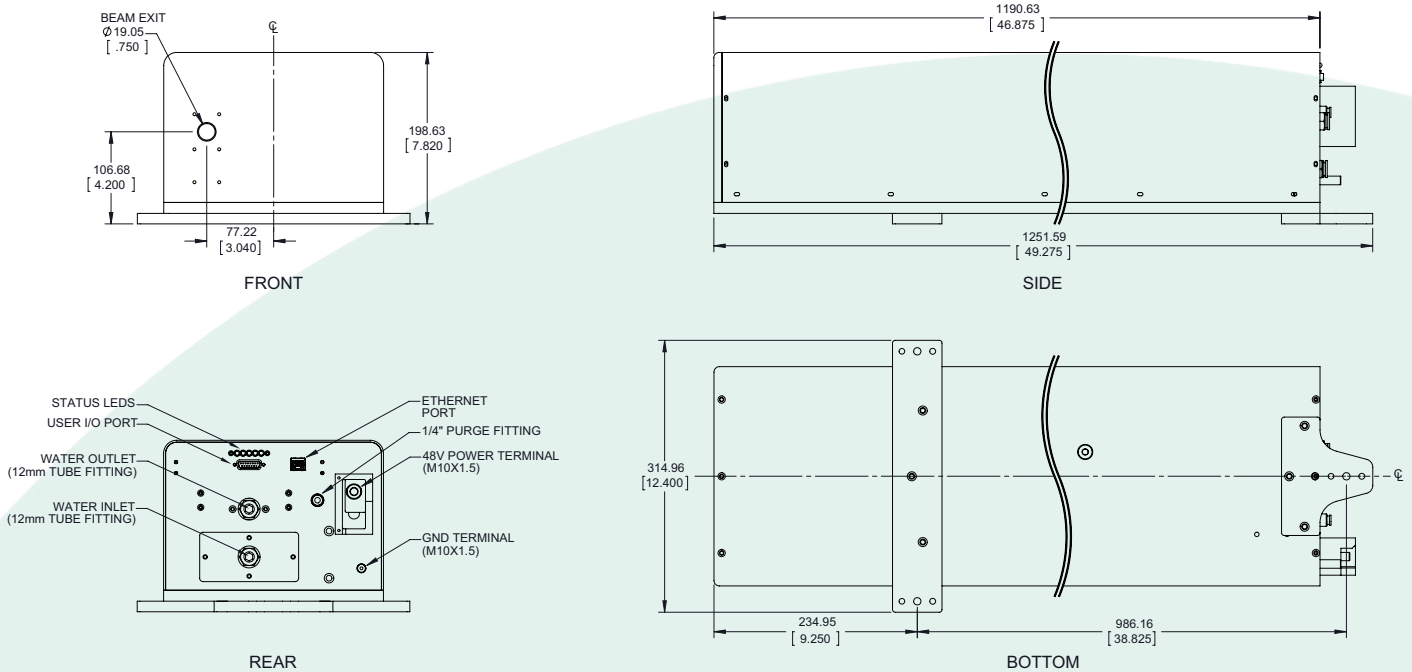


p150 - 150 Watts

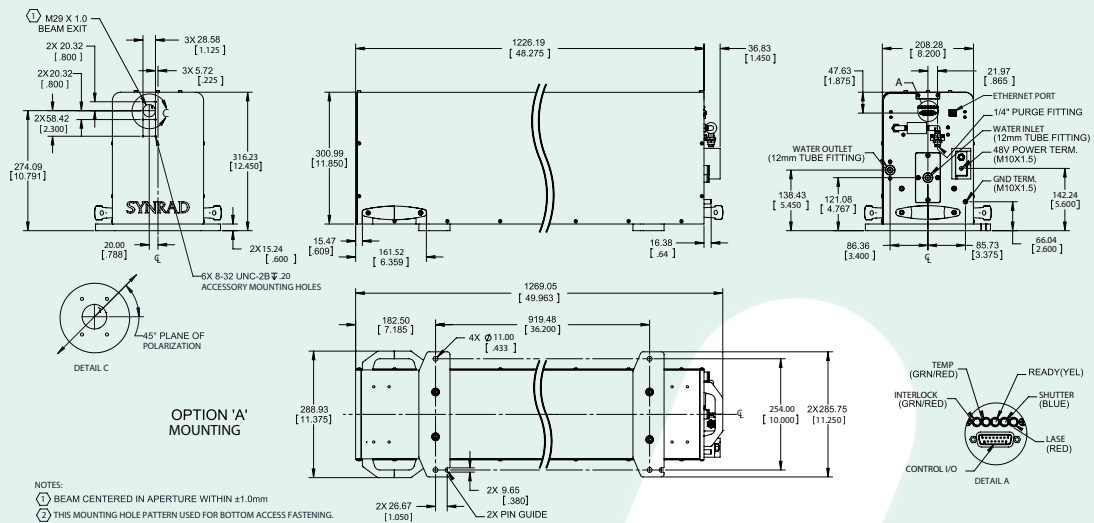


p SERIES TECHNICAL ILLUSTRATIONS

p250 - 250 Watts



p400 - 400 Watts



CONTACT US

Americas, Asia Pacific

Novanta Headquarters
Bedford, USA
P +1-781-266-5700

Photonics@Novanta.com

Europe, Middle East, Africa

Novanta Europe GmbH
Wackersdorf, Germany
P +49 9431 7984-0

Milan, Italy
P +39-039-793-710

Photonics@Novanta.com

China

Novanta Sales & Service Office
Shenzhen, China
P +86-755-8280-5395

Suzhou, China
P +86-512-6283-7080

Photonics.China@Novanta.com

Japan

Novanta Service & Sales Office
Tokyo, Japan
P +81-3-5753-2460

Photonics.Japan@Novanta.com