

gem with smd24

User Manual



Table of Contents

Table of Contents	2
Warranty Information	4
EU Declaration of Conformity	Error! Bookmark not defined.
Introduction	5
Laser Safety	7
System Specifications	8
PSU Configuration Drawings	10
Laser Operation	11
Cooling Requirements and Power Consumption	17
Power Consumption	19
Laser Maintenance	19
Liability	19

CUSTOMER SUPPORT

Before contacting us for assistance, review appropriate sections in the manual that may answer your questions.

After consulting this manual, please contact one of our worldwide offices between 9 AM and 5 PM local time.

Should the laser fall below acceptable specification performance, please contact our service and support team on +44 161 975 5306 or submit a service request through our website [here](#). We will provide initial assistance to rectify the problem remotely. If this is not possible, we will provide you with a Return Material Authorisation (RMA) Form and instruction on how to package and return the laser safely to us for assessment.

For our commitment to the 'Waste Electrical' compliance requirements we recommend you to return your systems back to the manufacturing site at end of life.

This take-back service will enable us to put the systems beyond use and disseminate the parts into recycling waste streams.

PLEASE DO NOT RETURN THE LASER WITHOUT PRIOR CONTACT WITH AND AGREEMENT FROM OUR SUPPORT TEAM.

Novanta UK

Unit 1.

Orion Business Park,

Bird Hall Lane,

Stockport,

SK4 0XG

UK

Tel: +44 (0) 161 975 5300

Novanta Corporation

Sales and Service Support

47673 Lakeview Blvd.

Fremont

Ca 94538, Usa

USA

Tel: +1 510 210 3034

Warranty Information

The company provides a return to base warranty across all our product ranges. See contact details in the Support section.

Warranty cover for the laser is subject to proper use, care and protection from mistreatment. Examples of mistreatment include but are not limited to any of the following:

- Any deviation from the instructions laid out in the Operating Manual
- Opening the product or breaking the warranty seals
- Operation in any hostile environment as outlined in the Operating Manual
- Any damage due to operation in unclean environments
- Any substantial mechanical shock
- Any damage through static discharge (this will not occur under normal operation)

The definition of mistreatment and its applicability to the warranty is at the reasonable discretion of Novanta.


Our obligation under this warranty is limited to the replacement or repair of the product which having been returned to the factory is found to be defective, and where the defect was not caused by factors external to the product. Any replacement part/product is under warranty for the remainder of the initial product warranty period.



Warning: Serious Personal Injury

Failure to read this manual carefully before operating the laser may result in catastrophic damage to the system which may void the warranty.

Summary of EU Compliance (SUMEU-GEM-SMD-v2)

1. Product	
Product	Gem
Controller	Smd12 / (Smd24 for 640nm only)
Wavelength	473nm, 532nm, 561nm, 640nm*, 660nm, 671nm
Reference	DOCEU-GEM-SMD-v2
2. Manufacturer	
Novanta PHOTONICS, Stockport, UK	
3. This declaration is issued under the sole responsibility of the manufacturer	
4. The product described above is in conformity with the relevant Union harmonisation legislation:	
2014/35/EU	Low Voltage Directive (LVD)
2014/30/EU	Electromagnetic Compatibility (EMC) Directive
2011/65/EU	Restriction of the use of certain hazardous substances (RoHS)
5. References to the relevant harmonised standards used or references to the other technical specifications in relation to which conformity is declared:	
EN 60825-1:2014	Safety of Laser Products
EN 61010-1:2010+A1:2019	Safety requirements for electrical equipment for measurement and laboratory use
EN 61326-1:2021	Electrical equipment for measurement, control and laboratory use - EMC requirements. General requirements for immunity and emissions
6. Further information on the technical file or official declaration of conformity is available from the manufacturer at the address above	
Technical File	GEM-TF-v1
	

*Gem 640nm product is with SMD24 controller (other wavelengths are with SMD12 controller)

Introduction

The **gem** is a Diode-Pumped Solid-State (DPSS) laser system emitting light in the visible region of the spectrum at 640 nm. It is a Class 3b or Class 4 laser product. This manual describes the set up requirements and operational procedures to ensure safe operation of the system..



Warning: Serious Personal Injury

Use of controls or procedures or performance of procedures other than those specified herein may result in hazardous radiation exposure. **Use laser ONLY for the originally intended requirement such as for scientific research, industrial application or for oem integration.**

Operational Requirement: Electrical Specification

The **smd24** Power Supply Unit (PSU) requires:

Input Voltage 12 V DC Acceptable range 11 V to 14 V (Ripple 1% peak to peak)

Input Current 8 A Minimum of 8 A must be available from the external source



Important Note: The center pin of the input connector is positive and the external DC source output shall not be referenced to mains ground. If the system experiences significant power interruption (surges or dips) it will restart and revert to a safe standby safe mode

Electrical Specification: Environment

Optimal Operating Temperature Range – Laser Head 22°C to 37°C

Maximum Operating Temperature – Laser Head 40°C

Maximum Operating Temperature – PSU 60°C

For optimal performance, the laser head should be mounted onto an appropriate heatsink in a stable environmental temperature. The heatsink requirements will depend on the ambient temperature of the operating environment and the operating power of the laser (section 6).

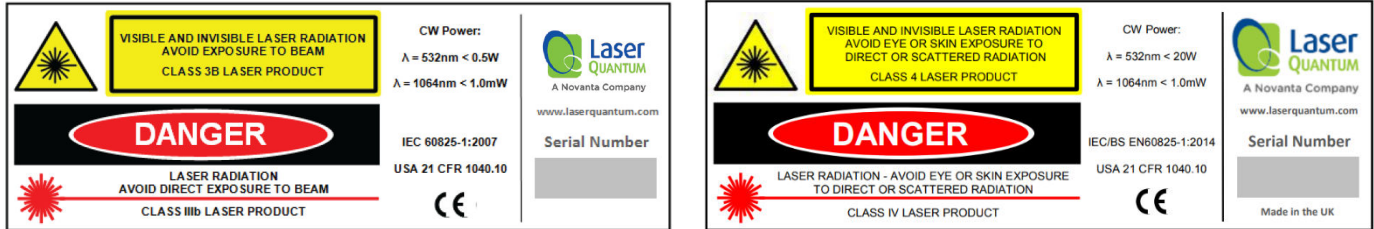
In the event of the laser head or PSU over-heating, a controlled shut down of the system will occur (Section 6). The system can only be restarted once it has been cooled to a safe temperature.

Temperature Range: **5°C to 45°C**

Humidity: **Non-Condensing**

Laser Safety

The **gem** is a Class 3b or Class 4 laser product, this is denoted by the laser warning label affixed to the laser head. A further label also appears adjacent to the laser aperture.

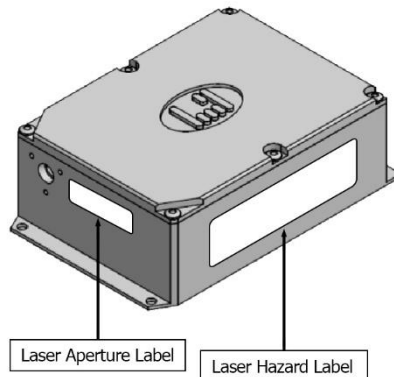


A further label also appears adjacent to the laser aperture:



When operating the laser, those in the environment must adhere to the following instructions to avoid eye damage and prevent the risk of fire:

- Laser safety goggles must be worn at all times when the laser is in operation.
- Always ensure the beam is safely collected in a suitable beam stop or that the laser is disabled when not in use.



For a full description of laser safety procedures, the user is referred to Declaration of Conformity standards plus:

- FDA Code of Federal Regulations (CFR) Title 21 Subchapter J section 1040.10 Laser products
- American National Standards for Safe Use of Lasers – ANSI Z136

System Specifications

A full list of parts supplied with the laser systems appear in Section 3 along with the dimensions (mm) and weights (kg). These measurements should be referred to whilst integrating the system.

Parts List

The **gem** laser system comes complete with:

- **gem** laser head
- **smd24** Microprocessor Controlled Power Supply Unit (PSU)
- **Umbilical Cable** – to connect the laser head and PSU

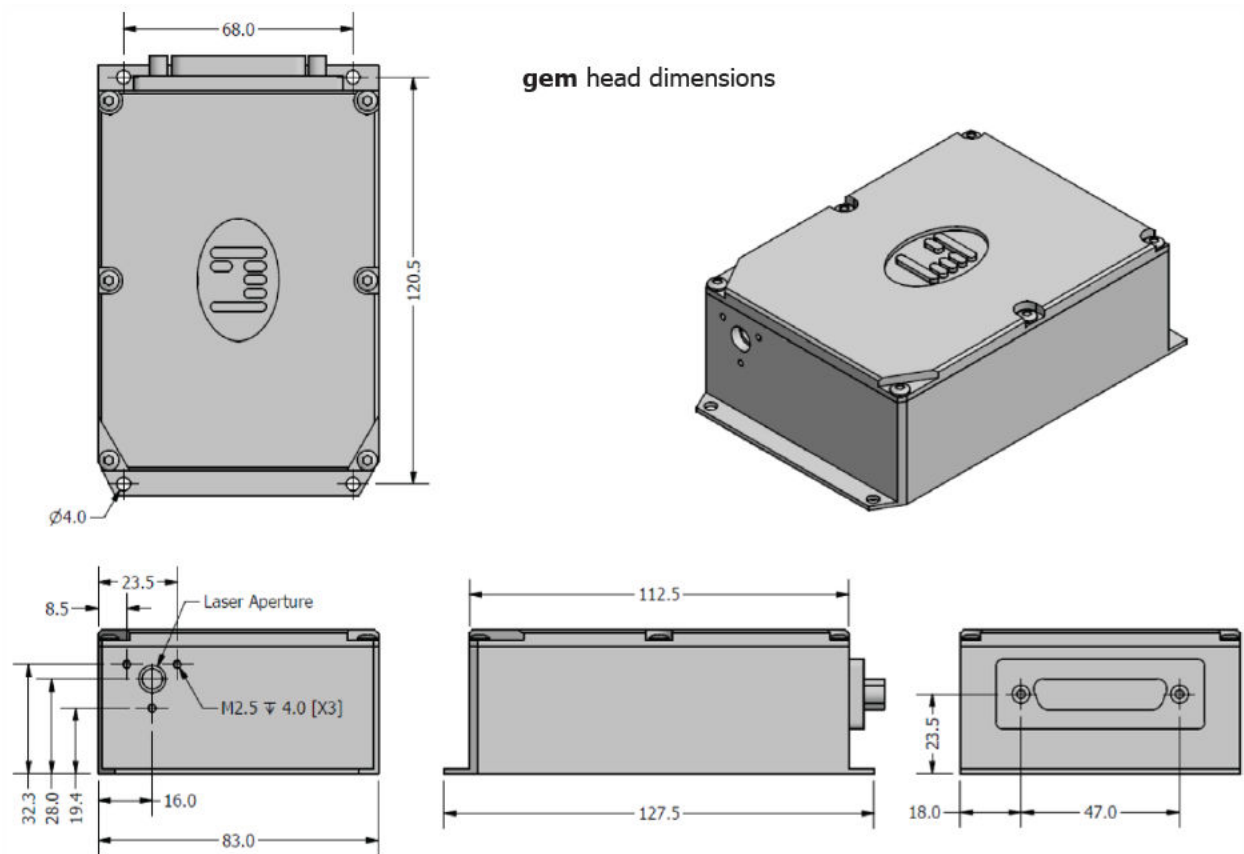
Depending on the purchase specification, some or all of the following items may also be included:

- External Power Supply Source (Mains AC to 12 V DC Desktop Module)
- IEC Mains Lead
- Interlock Dongle – to enable the laser system (Green spot on casing and Green LED)

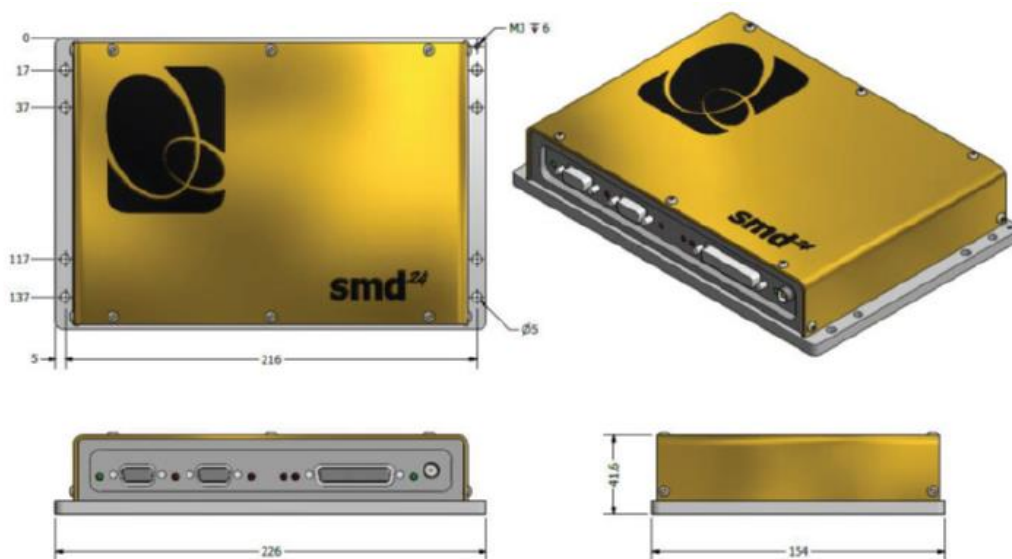
System parts and accessories that meet manufacturer's specification **MUST** only be used. **DO NOT** replace the IEC Mains Lead with alternative inadequately rated leads.

Weights and Dimensions

gem laser head Weight: 0.75 kg



smd24 PSU Weight: 1.2 kg



PSU Configuration Drawings

LED Functions	
1. Green	Serial Valid (OK)
2. Red	Laser Enabled
3. Red	Power Fail
4. Red	Over Temp Head
5. Red	Over Temp PSU
6. Green	Power LED

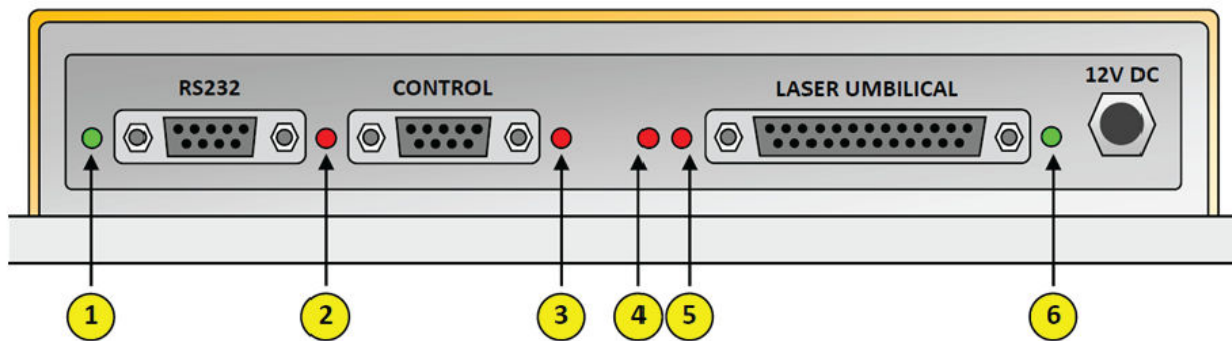


Figure 4-1



Warning: Serious Personal Injury

The **gem** laser contains components which can be damaged if exposed to an electro-static discharge. Ensure the connector pins on the back of the laser head are never exposed to an electro-static discharge.

Laser Operation



Caution: Care must be taken to prevent direct exposure to the laser beam before the system is enabled.

Switching the laser “on”

- 1 Ensure the **smd24** is not powered (i.e. 12 V DC source is switched off).
- 2 Connect the Laser Umbilical Cable to the port marked ‘Laser Umbilical’ on the **smd24** before connecting the other end to the laser head. Tighten the locking posts on the screws at both ends so they are finger tight.
- 3 Switch on the 12 V DC source, this should illuminate the **smd24** green power LED. At this stage the thermal control circuitry is activated but no laser emission should occur.
- 4 The analogue Control port (see Figure 4.2) is multi-functional as it has connections for Interlock, Enable Switch and Laser Power Control/Modulation. The Interlock must be closed to allow the laser to operate, and this can be achieved using the supplied green-spot Interlock Dongle.
- 5 Depending on the Start Up Conditions set for the system the laser may now start to emit laser light.



Warning: Serious Personal Injury

If a red spot Interlock Dongle has been supplied with the laser system this will over-ride the need to press the Enable button. Turning the Key Switch to the ‘on’ position will start the laser

The mode of operation can be changed by the operator using the serial commands ‘CONTROL=POWER’ to select power mode or ‘CONTROL=CURRENT’ for current mode.

Power Mode

The laser operates in Power mode. The laser power is constant, and a feedback control loop maintains the power at the level requested by the operator via the RS232 port.

Current Mode (where available)

The pump diode current as selected by the operator is a percentage of the total pump diode current available. The requested current remains constant however, the power may drift due to environmental changes.

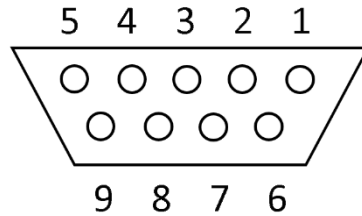
Switching the laser “off”

The laser is switched off by: Removing the interlock dongle; Sending the serial command ‘OFF’. The gem systems **MUST NOT** be positioned so that it is difficult to operate the disconnecting devices.

Control Port – Functionality

The SMD24 can be operated directly via the Control port (see Fig 4-1) by applying 0 to 5 V, interlocks and push button in accordance with the diagrams in this section.

9-way Function Table and Pin-Out Diagram



Pin	Function
1	+5 V rail (output)
2	Ground
3	Enable switch (connection 1)
4	+5V (input)
5	Interlock (connection 2) and Enable LED anode & Ground (GND)
6	Interlock (connection 1)
7	Enable LED cathode
8	Enable switch (connection 2)
9	Ground (GND)

The remote Interlock, Enable and Enable LED can be wired in accordance with the diagrams below [Fig 5-1 & Fig 5-2], to be used as part of a laboratory interlock safety circuit. If either Interlock is broken the system will shut down, the Enable button must be pressed to restart the system.

Connections to the control port shall be “potential free” i.e. isolated from mains voltage by a barrier rated at 3 KV (e.g. Double Insulation, Etc).

The combined electrical resistance of the “Enable Switch”, “Interlock” and associated wiring shall be less than 5 ohms.

If a solid-state device such as an opto-isolator is used as the switching element(s), the total combined voltage drop must not exceed 500 mV.

The current through the “Interlock” and “Enable Switch” circuitry is less than 100 mA. The LED current source is 10 V via a 540 R resistor.

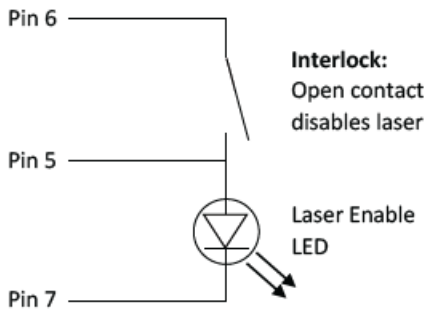


Figure 5-1

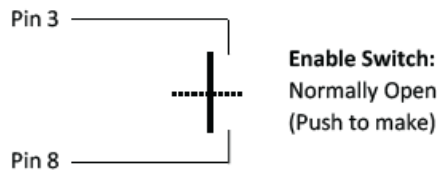


Figure 5-2

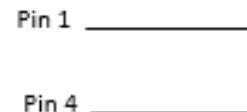


Figure 5-3

The PSU has its own 5 V source (pin 1) which must be shorted to pin 4 to allow full Power Mode operation. Pin one must be linked to Pin 4.

It is recommended that an LED is always connected between pin 5 and 7, to show when the laser is active.

The minimum connections that need to be made for the system to operate are:

- Pin 6 to Pin 5
- Pin 3 to Pin 8
- Pin 1 to Pin 4

RS232 Port – Functionality

Control of the laser can be achieved via the RS232 port using a terminal emulator such as HyperTerminal or PUTTY. This allows the operator to:

- Turn the laser on/off
- Control the laser power
- Query information such as laser head/PSU temperature
- Check the laser status

It is necessary to have the Interlock and Enable switches closed via the Control port in order to enable the laser, prior to controlling the laser through the RS232 port. Pins 1 and 4 of the Control port must be shorted together to allow maximum current to be set by the RS232 commands.

The RS232 port uses the standard 9-way connector pin configuration:

Pin 2 TXD: RS232 – Transmit

Pin 3 RXD: RS232 – Receive

Pin 5 GND – Ground

Port settings are:

Baud Rate: 57,600

Parity: None

Stop Bit: 1

Hand Shaking: None

The operator must wait for a response from the PSU before sending the next command. A response is any text string (including null) followed by a carriage Return, Line Feed.

The system has been tested for compliance using 3m long serial cable. If a serial cable of over 3 meters in length is used compliance of the system may be compromised. Therefore, it is recommended that if this is required, optical isolation should be used.

Note that most PCs do not have an RS232/Serial port as standard so a USB to Serial (RS232) adapter (sold separately) is needed that is able to go to the full RS232 voltage levels for the connection to function correctly. For recommendations on adapters or more information please contact your sales representative.

RS232 Port – Serial Commands

Serial Command	Function
OFF	Disables the laser, regardless of the interlock status
ON	Enables the laser subject to Interlock and Enable Switch status
CONTROL=CURRENT	Sets the Current mode on
CONTROL=POWER	Sets the Power mode on
CURRENT=###	This sets the current to the diodes as a % of the maximum e.g. to set a current of 85% of maximum send CURRENT=85, followed by striking the RETURN key.
POWER=###	This sets the output power of the laser. For example, to set a power of 2800 mW, send the string POWER=2800, followed by striking the RETURN key.*
POWER?	Returns the power of the laser (read from the internal photodiode)
STEN=YES / NO	Enable (YES) or disables (NO) laser as default at start-up. This serial command must be followed by WRITE
STPOW=###	### is the optical power in mW. Sets the default start-up power. This serial command must be followed by WRITE
ACTP=###	### is in mW. Recalibrates the APC mode (See section 5)
WRITE	Stores APC calibration, STEN and STPOW in memory
LASTEMP?	Returns the temperature of the laser head in degrees centigrade
PSUTEMP?	Returns the temperature of the PSU in degrees centigrade
STATUS?	Returns the status of the Interlock
TIMERS?	Returns the timers of the laser and PSU: Time=#####.# Total time the system has been powered Laser Time=#####.# Total time the diodes have been powered Laser > 1A Time=#####.# Total time the diodes have been powered >1 A
VERSION?	Returns the timers of the laser and PSU:

* A minimum % current threshold level is required to achieve laser emission. This threshold varies from laser to laser and is also dependent on the laser power. **The system has been tested for compliance using a 3 m serial cable. If a serial cable >3 m is used, compliance of the system may be compromised unless optical isolation is used.

RemoteApp

Using our unique RemoteApp software suite, the laser can be controlled via the RS232 port. It can be downloaded from www.novantaphotonics.com. Follow the on-screen prompts to install the software onto the computer. RemoteApp includes a comprehensive instruction manual which can be accessed via the 'Help' and 'Contents' tabs.

The RemoteApp can also be used if a remote connection is required by our Service & Support Centre and is a powerful tool if performance optimisation is required.

Re-calibrating the laser power

The laser can be recalibrated at any time during its use to ensure the APC mode is in good agreement with any external power meter device. Recalibration is a simple process that takes place via the RS232 port. The procedure for recalibration requires the RS232 port to be configured for use with a terminal emulator (RS232 Port Functionality section). The following procedure must be followed:

- 1 Select an intermediate power that the laser is capable of reaching. Set the laser to this power by typing the command `POWER=###`. "###" represents this intermediate or characteristic operating power level in mW.
- 2 After a period of 5 minutes, measure the actual power using a trusted, external power meter.
- 3 Type the command `ACTP= [external power meter reading in mW]`.
- 4 Confirm that the laser has adjusted its power such that the external power meter now reads ###mW within a few mW.
- 5 If necessary, repeat steps 3 and 4 until the calibration agrees.
- 6 Once accepted, type the command `WRITE` to store the new calibration.



Important Note: Take extra care to remove back-reflections to the laser. Any magnitude of back reflection may disturb the resonant cavity and will affect the APC feedback control loop.

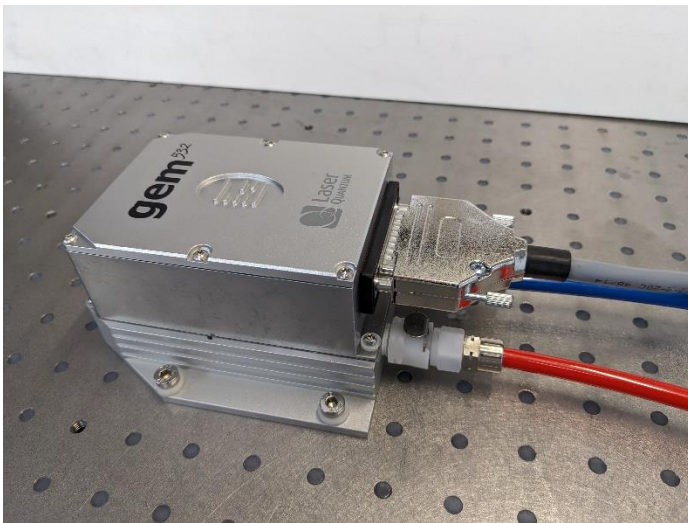
Cooling Requirements and Power Consumption

Cooling Requirements

The laser has a characteristic warm-up period before it reaches specification; this time depends partly on the heatsink to which it is attached. However, the typical warm-up time is 10 minutes from switch on.

For the laser to perform to specification, it must be adequately heatsinked to the base of the laser. Operating the laser on an inadequate heatsink will adversely affect its stability and may result in thermal shutdown of the laser head or reduction in beam power. In normal laboratory conditions, a heatsink with dimensions 400 x 400 x 10 mm should be suitable for the laser to operate in accordance with its specifications. Depending upon environmental conditions and power of the laser, additional cooling aid might be required (e.g. TEC, forced air cooling, water cooling). Examples of heatsinking solutions are shown below. For further information on heatsinking your laser system, please consult your sales representative who may be able to provide a heatsink solution.

Water cooled heat sink.



Air cooled heat sink



gem laser head

Once the maximum operational temperature for the laser head (see Section 1) has been reached, one of two things will occur: To ensure the correct cooling arrangement the flow direction should be as follows:

- 1 The current to the diode will immediately be switched off and the laser system will need to be restarted once the temperature has been restored to normal
- 2 If de-rating is enabled the current will gradually be reduced to zero in order to try to allow the laser head temperature to stabilise. If the current does reach zero the system will need to be restarted. The effects of de-rating are shown in the table below:

Current Laser	Head/Laser OVERTEMP LED	Colour of Laser and PSU text on LCD
Set by user	Off	Orange
Begins to de-rate	Flashes	Flash Red and White
Reduced to zero	On	Flash Red and White

smd24 PSU

A similar arrangement occurs for the PSU once the maximum operating temperature (see Section 1) has been reached.



Important Note: The indicator LED in this instance is marked 'PSU OVERTEMP LED'.

Power Consumption

The power consumption shown is that which is drawn at the plug from the mains supply in both the Maximum and Typical states. The Maximum power will usually be drawn at start up and the typical power is when all temperatures are stabilized, and the system is operating at the specified power. Peak values are shown in all cases and efficiencies will vary between systems of different wavelengths.

Maximum at 240 V supply – using the supplied External Power Supply Source:

120 W

At the 12 V input the SMD24 can draw maximum of 8 A

Laser System:

Wavelength (nm)	Laser System Output (mW)			
532	50	250	750	2000
640	500	-	-	-
660	50	125	375	1000
671	50	80	250	750
Power Consumption (W) (Maximum)	43	45	60	75
Power Consumption (W) (Typical)	33	35	45	55

The power dissipation of the laser head is no more than 40% of the total power consumption. The values shown are system power consumption.

Laser Maintenance

If the **gem** is operated in a smoky or dirty environment, occasional cleaning of the laser window may be necessary. To perform this procedure, the laser must be turned off and, using optical cloth dampened with research grade methanol, the laser window must be gently wiped.

- Always follow the instructions given in this Operating Manual
- Never touch the connector on the laser head with anything other than the Umbilical cable provided and always follow the connection instructions in this Operating Manual
- Do not open the laser head or PSU; this will immediately invalidate the warranty
- Do not subject the laser head to mechanical shock; if severe this can cause mis-alignment of the laser cavity
- Do not allow the output window of the laser to be touched as this may damage the precision optical coatings used. Avoid very dirty atmospheres where dirt may settle on the window
- Do not operate or store this laser system in very humid or damp environments

Liability

Novanta accepts no liability for damage to persons or property caused by incorrect or unsafe use of any of its products; this is the sole responsibility of the user. Proper safety regulations for the use of these products must be observed at all times.

This page is intentionally left blank



Novanta

PHOTONICS

Novanta

Manchester, United Kingdom

Unit 1, Orion Business Park, Bird Hall Lane.
Stockport, SK4 0XG, UK

Email: photonics@novanta.com

Website: www.novantaphotonics.com

R-0262 Revision 2.0

May 2024

©2024 Novanta Corporation.