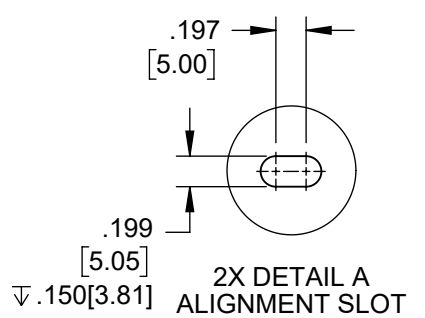
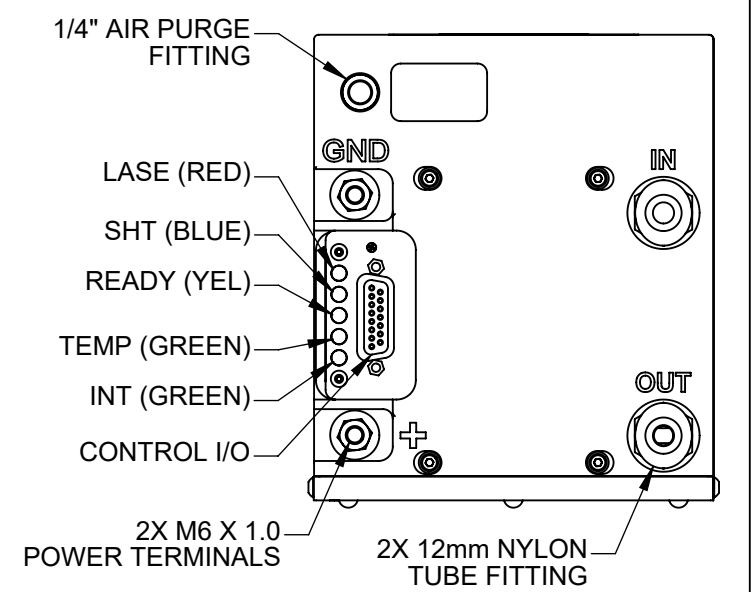
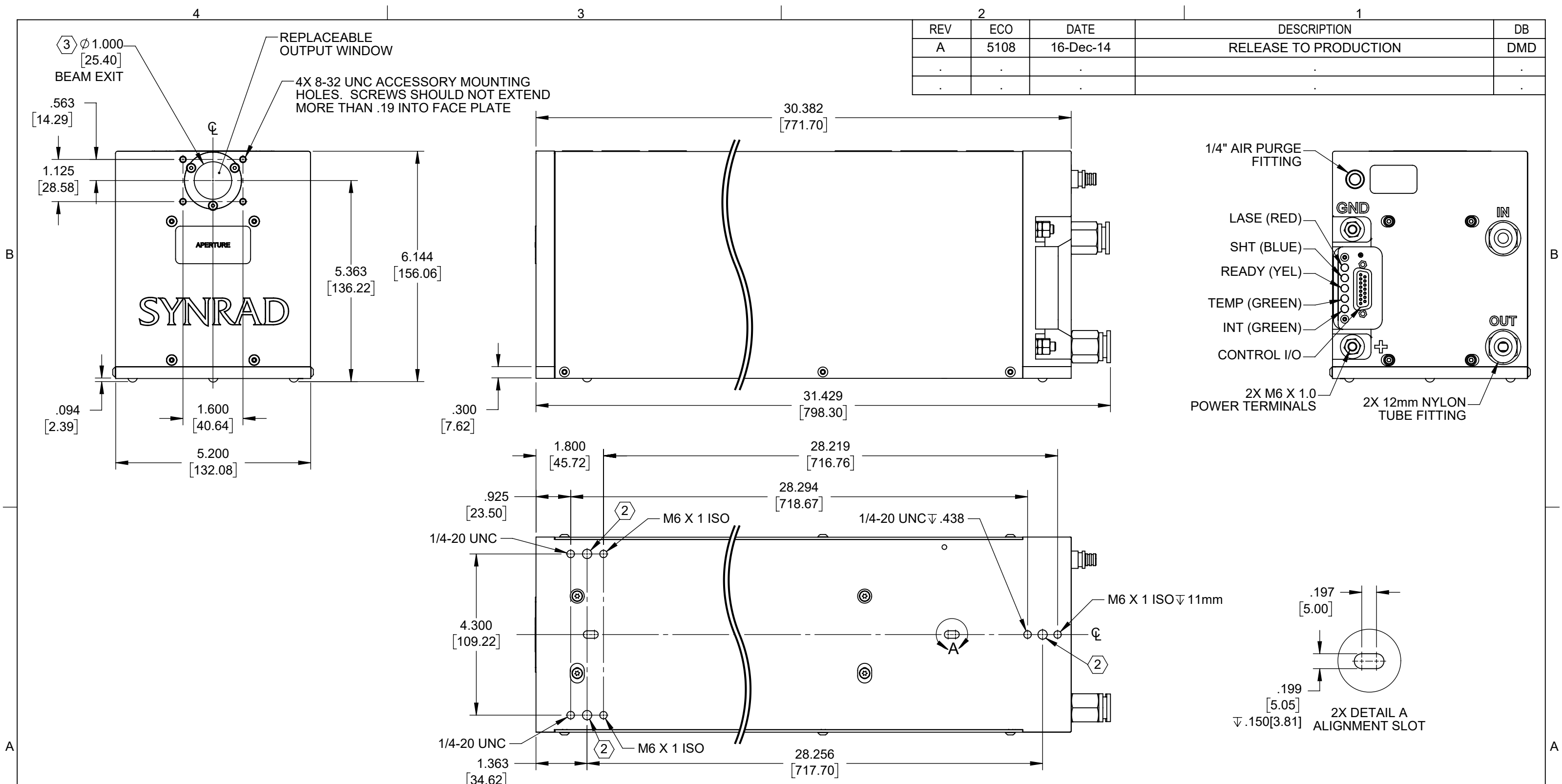
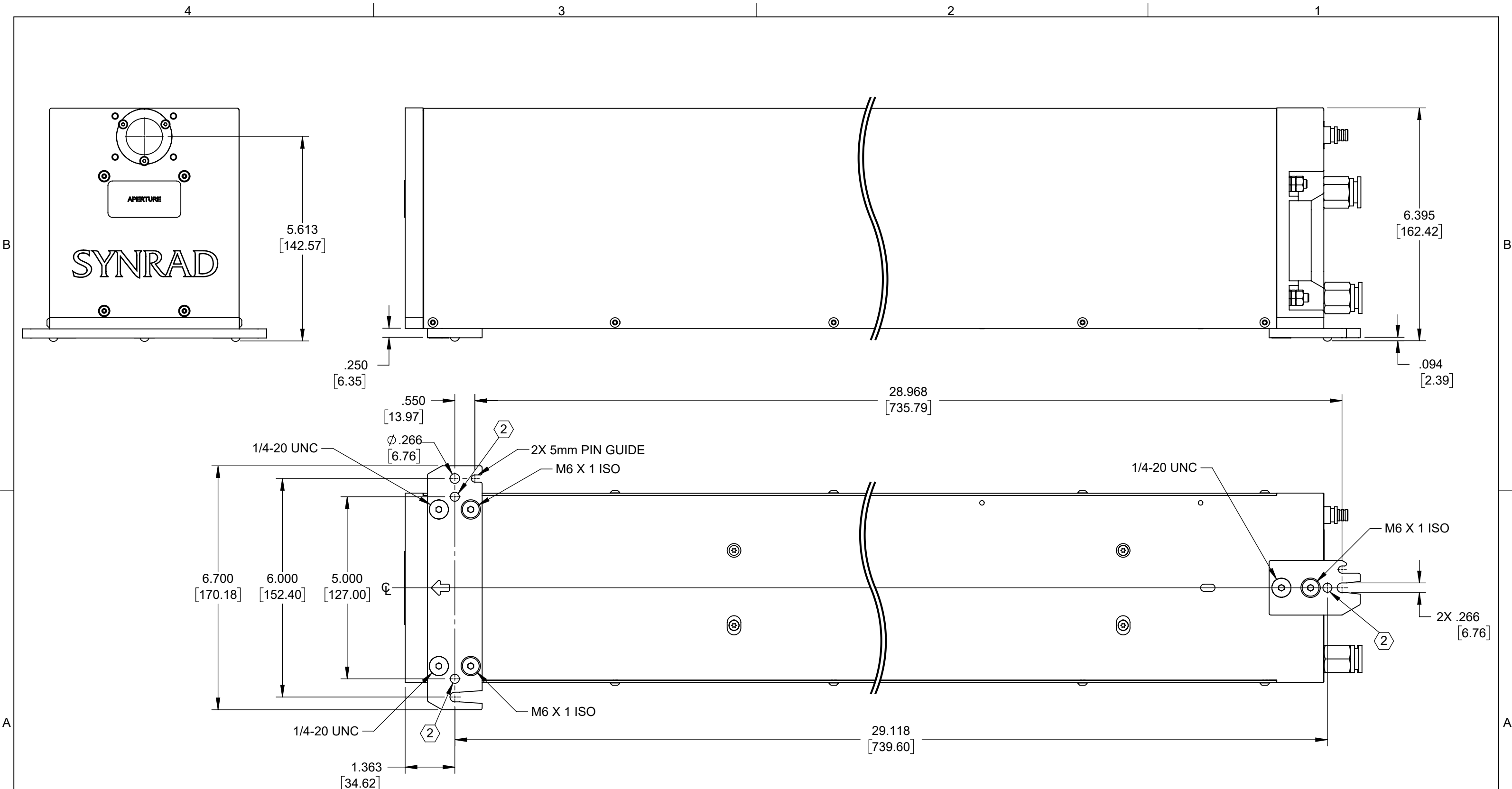


| REV | ECO | DATE | DESCRIPTION | DB |
|-----|------|-----------|-----------------------|-----|
| A | 5108 | 16-Dec-14 | RELEASE TO PRODUCTION | DMD |
| . | . | . | . | . |
| . | . | . | . | . |




- NOTES:
- FOR FULL DETAIL, SEE THE USER GUIDE/MANUAL SUPPLIED WITH THE UNIT.
 - HARDENED BALL MOUNTING POINT, 3X (Ø.250 BALL BEARING).
 - BEAM PATH MAY NOT BE CENTERED OR PERPENDICULAR TO FACE PLATE APERTURE.

| TOLERANCES UNLESS NOTED: | | PROPRIETARY THIS DRAWING IS PROPRIETARY TO SYNRAD INC. AND SHALL NOT BE USED OR DISCLOSED IN WHOLE OR IN PART WITHOUT WRITTEN PERMISSION OF SYNRAD INC. | | SYNRAD INC. 4600 Campus Place Mukilteo, WA 98275 Phone: (425)349-3500 Fax: (425)349-3667 | |
|--------------------------|---------------|--|--|--|--|
| .x = ± .1 | ANGLE = ± .5° | DESCRIPTION: | | | |
| .xx = ± .01 | | | | | |
| .xxx = ± .005 | | | | | |
| MATERIAL: | | DRAWN BY: D. DUVALL DATE: 16-Dec-14 DWG/FILE NUMBER: 300-20467-01 | | | |
| FINISH: NONE. | | QLTY CHK BY: | | DATE: | |
| | | ENG CHK BY: | | DATE: | |
| | | APPROVED BY: | | DATE: | |
| | | UNITS: Inches | | SHEET 1 of 2 | |
| | | FINISH CLASS: . | | REV. A | |



WITH OPTIONAL MOUNTING FEET ATTACHED

| | | | | | |
|--|--------------|--------------|--------|-------------------------------|---|
| PROPRIETARY THIS DRAWING IS PROPRIETARY TO SYNRAD INC. AND SHALL NOT BE USED OR DISCLOSED IN WHOLE OR IN PART WITHOUT WRITTEN PERMISSION OF SYNRAD INC. | DESCRIPTION: | | | |  |
| | PART NUMBER: | 300-20467-01 | REV. A | DWG/FILE NUMBER: 300-20467-01 | |