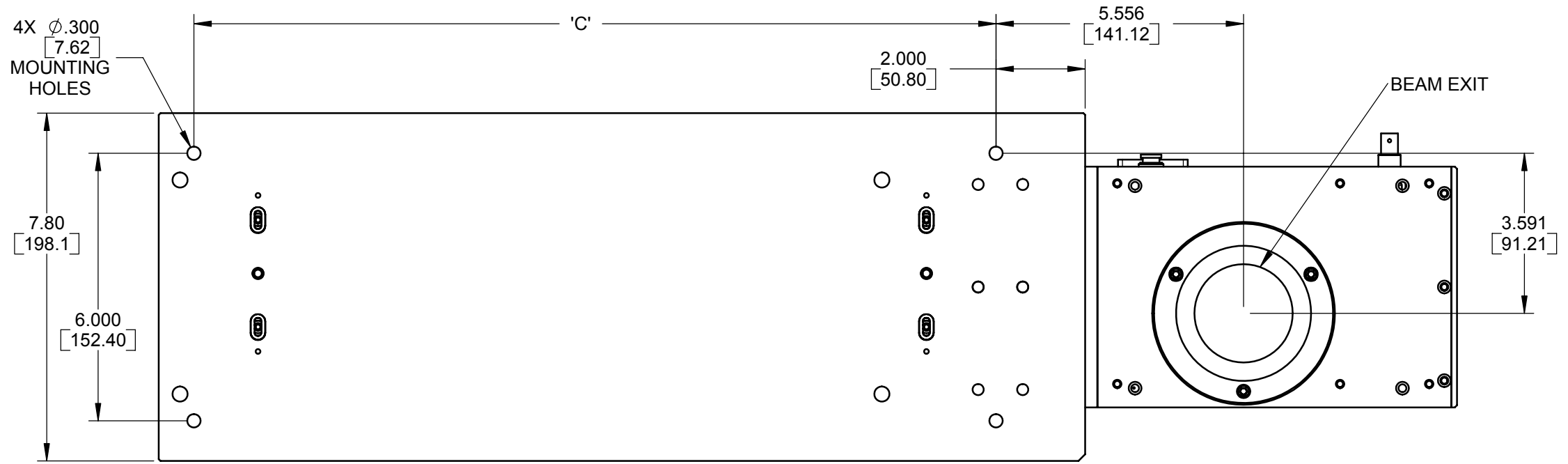
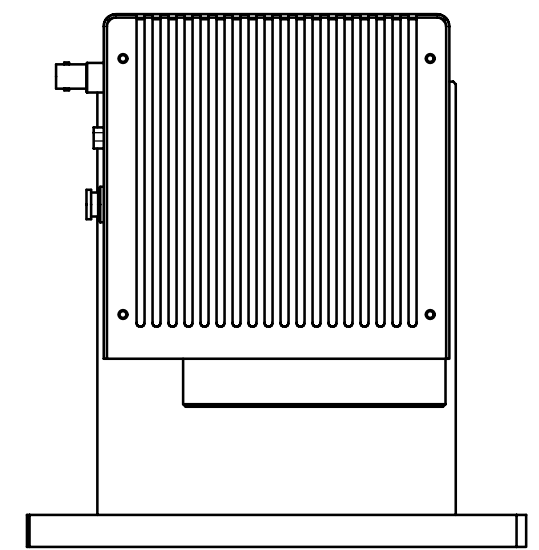
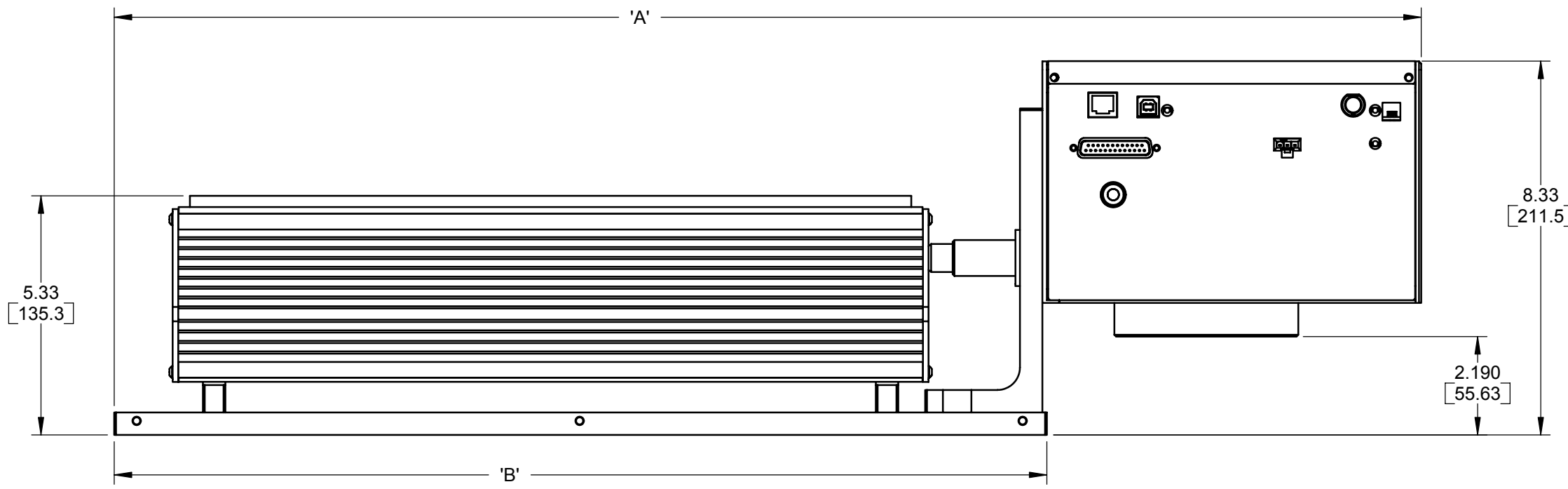


|     |      |           |                        |     |
|-----|------|-----------|------------------------|-----|
| REV | ECO  | DATE      | DESCRIPTION            | DB  |
| A   | 3575 | 30-Aug-07 | RELEASED TO PRODUCTION | RLS |



- NOTES:
1. DIMENSIONS IN BRACKETS [ ] ARE MILLIMETERS.
  2. SEE CHART FOR 'A', 'B' & 'C' DIMENSIONS.
  3. 48-1 WATER AND AIR (NON-FAN) WILL MOUNT TO A 48-2 RAIL.
  4. SHEET 2 SHOWS AIR-COOLED UNIT WITH OPTIONAL FAN SHROUD.

| PART NUMBER  | DESC.       | DIM 'A'          | DIM 'B'         | DIM 'C'           | SHEET |
|--------------|-------------|------------------|-----------------|-------------------|-------|
| 230-19674-01 | 48-1        | 29.14 [740.1mm]  | 20.79 [528.1mm] | 18.000 [457.20mm] | 1     |
| 230-19674-02 | 48-1 w/FANS | 29.19 [741.4mm]  | 20.79 [528.1mm] | 18.000 [457.20mm] | 2     |
| 230-19674-04 | 48-2        | 43.45 [1103.7mm] | 34.79 [883.7mm] | 24.000 [609.60mm] | 1     |
| 230-19674-05 | 48-2 w/FANS | 43.45 [1103.7mm] | 34.79 [883.7mm] | 24.000 [609.60mm] | 2     |

TOLERANCES UNLESS NOTED:

|                |                 |
|----------------|-----------------|
| .x = ± 0.1     | ANGLE = ± 0.5 ° |
| .xx = ± 0.01   |                 |
| .xxx = ± 0.005 |                 |
| MATERIAL:      |                 |
| FINISH:        |                 |

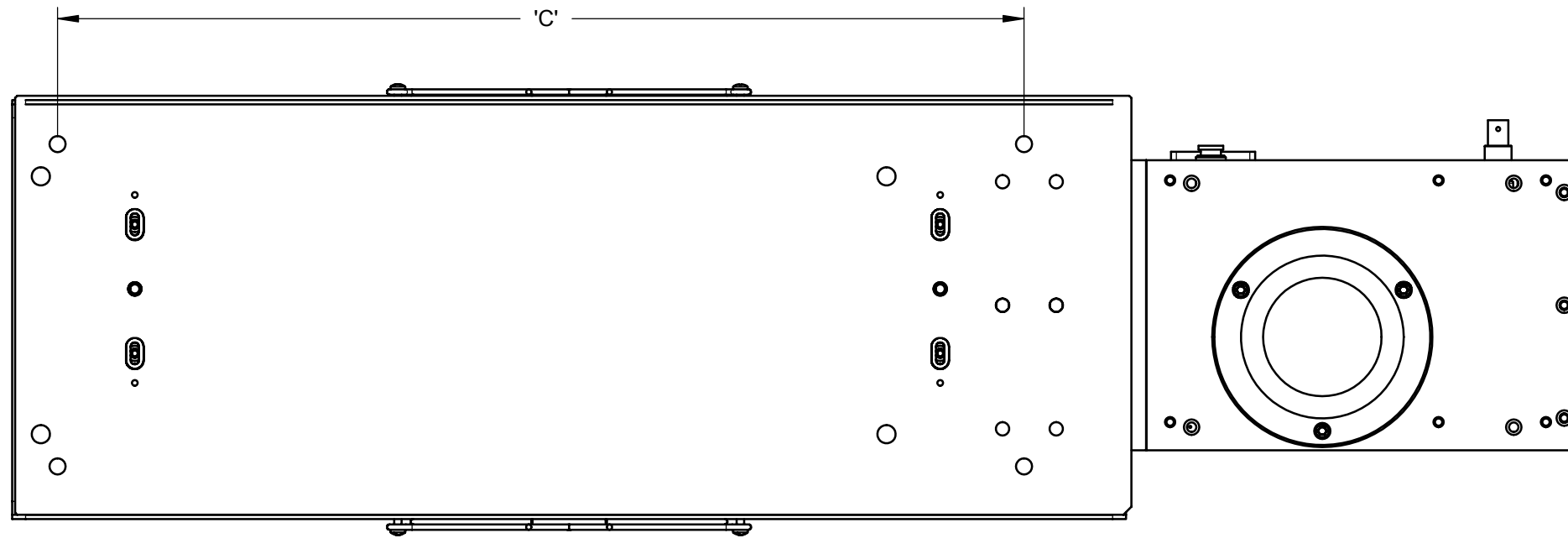
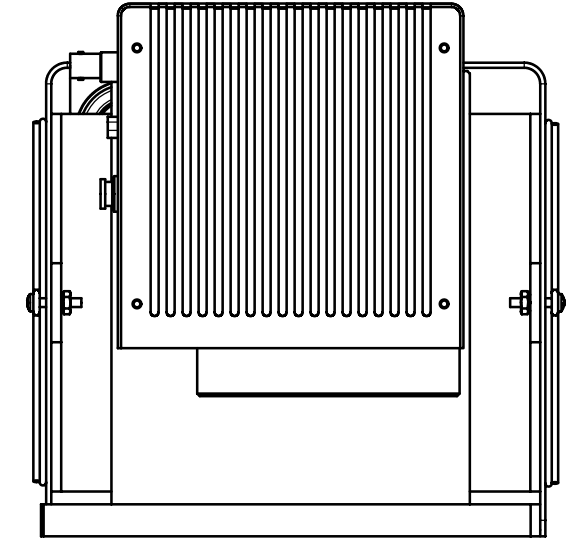
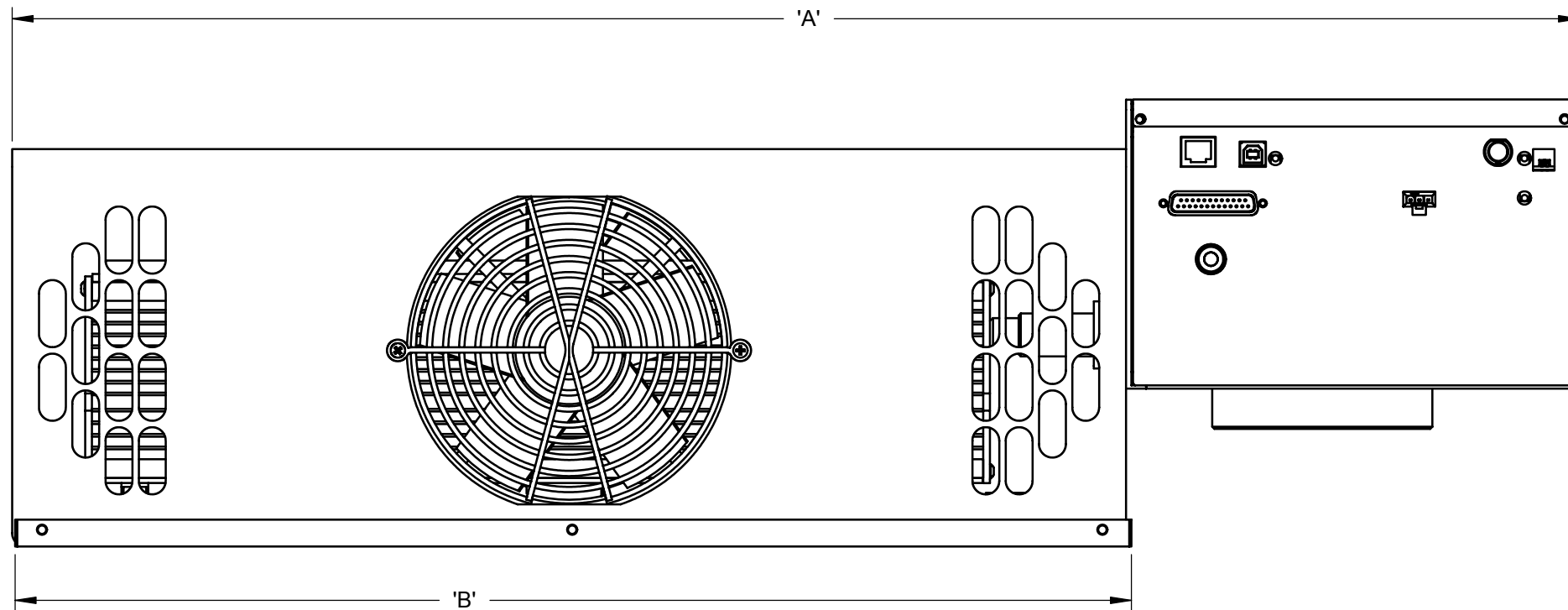
PROPRIETARY  
THIS DRAWING IS PROPRIETARY TO SYNRAD INC. AND SHALL NOT BE USED OR DISCLOSED IN WHOLE OR IN PART WITHOUT WRITTEN PERMISSION OF SYNRAD INC.

**SYNRAD** SYNRAD INC.  
4600 Campus Place  
Mukilteo, WA 98275  
Phone: (425)349-3500  
Fax: (425)349-3667

DESCRIPTION:  
**OUTLINE & MOUNTING - FLYER, 48-1/48-2**

|                           |                               |
|---------------------------|-------------------------------|
| PART NUMBER: 300-19676-10 | DWG/FILE NUMBER: 300-19676-10 |
| SHEET 1 of 2              | ENG: RLS                      |
| UNITS: Inches             | CATEGORY: I                   |
| SIZE: B                   | FINISH CLASS: A               |
| DRAWN BY: K. JOHNSON      | DATE: 01-Jun-07               |
| CHECKED BY:               | DATE:                         |
| APPROVED BY:              | DATE:                         |

| REV | ECO  | DATE      | DESCRIPTION            | DB  |
|-----|------|-----------|------------------------|-----|
| A   | 3575 | 30-Aug-07 | RELEASED TO PRODUCTION | RLS |



|                          |                 |
|--------------------------|-----------------|
| TOLERANCES UNLESS NOTED: |                 |
| .x = ± 0.1               | ANGLE = ± 0.5 ° |
| .xx = ± 0.01             |                 |
| .xxx = ± 0.005           |                 |
| MATERIAL:                |                 |
| FINISH:                  |                 |

PROPRIETARY  
THIS DRAWING IS PROPRIETARY TO  
SYNRAD INC. AND SHALL NOT BE  
USED OR DISCLOSED IN WHOLE  
OR IN PART WITHOUT WRITTEN  
PERMISSION OF SYNRAD INC.



SYNRAD INC.  
4600 Campus Place  
Mukilteo, WA 98275  
Phone: (425)349-3500  
Fax: (425)349-3667

|  |                 |                      |                 |
|--|-----------------|----------------------|-----------------|
| DESCRIPTION:<br><b>OUTLINE &amp; MOUNTING - FLYER, 48-1/48-2</b> |                 |                      |                 |
| PART NUMBER:   | 300-19676-10    | DWG/FILE NUMBER:     | 300-19676-10    |
| SHEET 2 of 2   | ENG: RLS        | DRAWN BY: K. JOHNSON | DATE: 01-Jun-07 |
| UNITS: Inches  | CATEGORY: I     | CHECKED BY:          | DATE:           |
| SIZE: B  | FINISH CLASS: A | APPROVED BY:         | DATE:           |